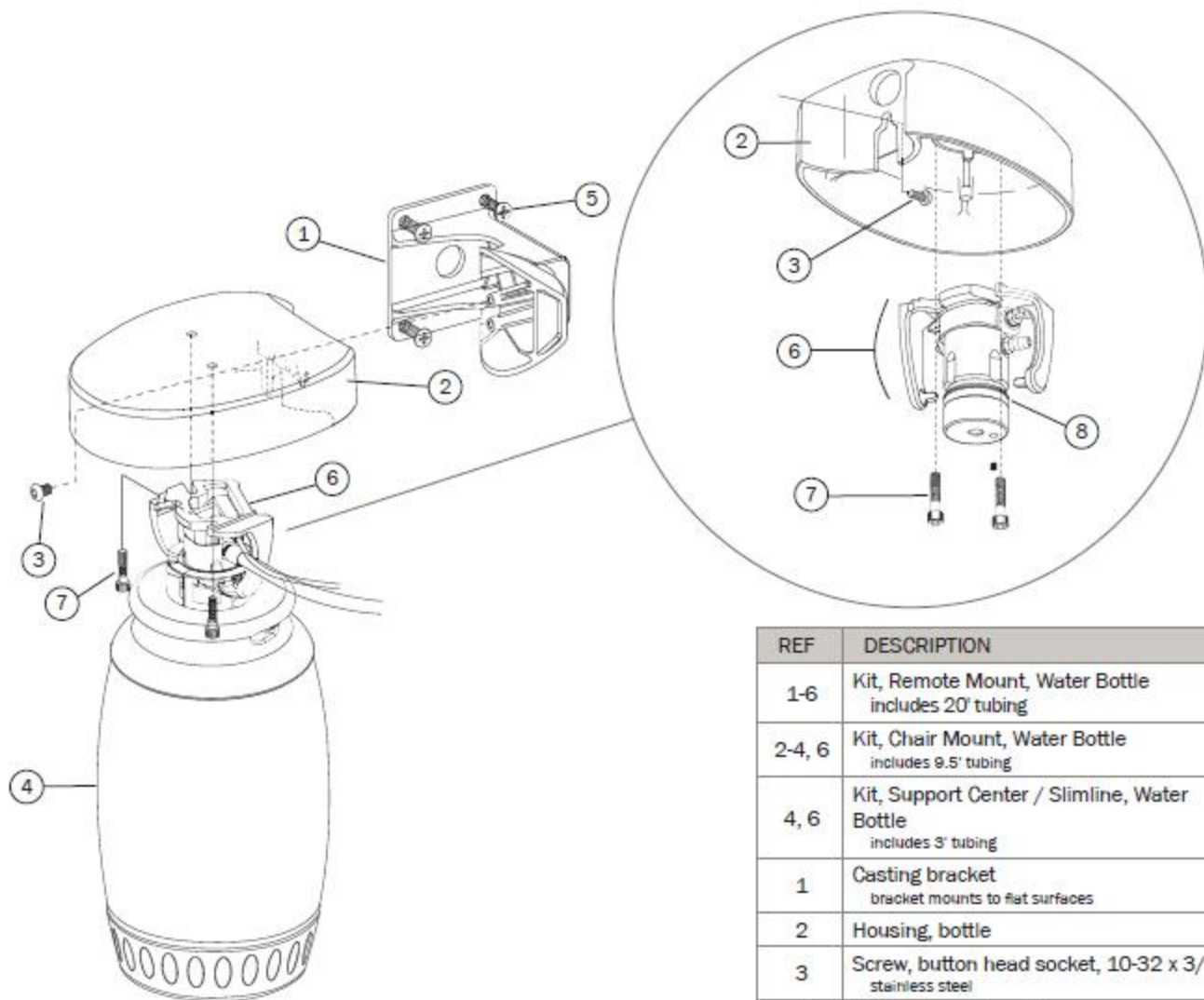


A-dec 500 and 300



REF	DESCRIPTION	WHITE	SURF	PRICE
1-6	Kit, Remote Mount, Water Bottle includes 20' tubing	14.0471.00	-	
2-4, 6	Kit, Chair Mount, Water Bottle includes 9.5' tubing	14.0484.00	14.0464.00	
4, 6	Kit, Support Center / Slimline, Water Bottle includes 3' tubing	14.0464.02	-	
1	Casting bracket bracket mounts to flat surfaces	77.0420.01		
2	Housing, bottle	14.0455.04	14.0455.02	
3	Screw, button head socket, 10-32 x 3/8 stainless steel	001.253.00		
4	Bottle assembly, water	14.0468.01	14.0468.00	
5	Screw	003.071.00		
6	Receptacle assembly	90.1101.00		
7	Socket Head Screw 10-32 x 1/2	002.135.00		
8	O-ring, E, 0.921 ED x 0.139 W	034.213.00		
	Jacket tubing 5/16 x 1/8 (per foot)	024.200.00	-	