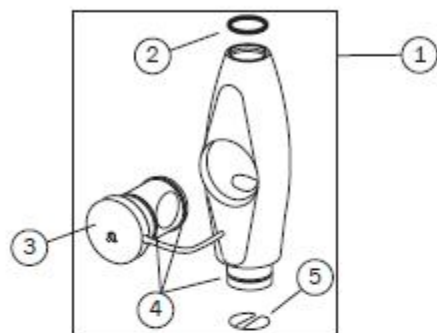
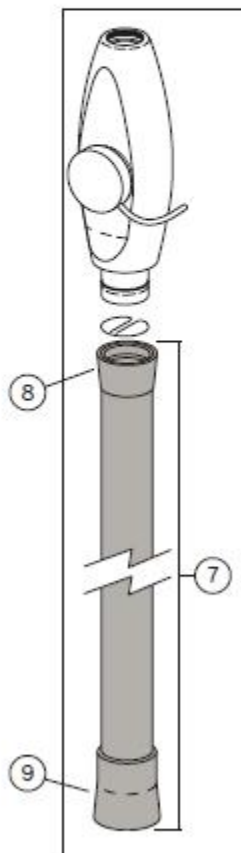


A-dec 500 and 300 High Volume Evacuator Vacuum Instrument Assemblies

52" tubing for A-dec 351 & 551 Chair-mounted assistant's instrumentation
 63" tubing for A-dec 352, 353, 541, & 545 assistant's instrumentation



REF	DESCRIPTION	PART NUMBER	PRICE
Standard (11mm) HVE Valve (for 1/2 inch or 16mm tubing)			
1	Standard (11mm) HVE Valve Assembly	11.1335.00	
2	Tip o-ring (10)	034.013.01	
3	HVE Rotor Assembly	11.1074.00	
4	Rotor o-ring (10)	034.014.01	
5	Spring Clip Spring (5)	11.0998.01	

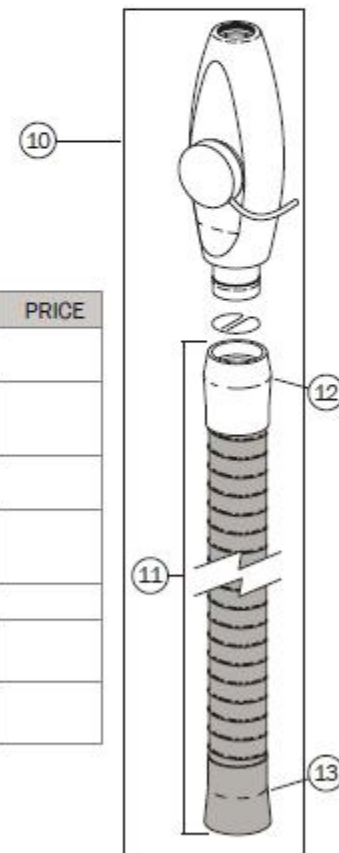


1/2 inch tubing

REF	DESCRIPTION	SURF	WHITE	PRICE
6	Standard (11mm) HVE Assembly with 1/2 in. tubing, valve, and (2) tailpieces			
	with 52" (1321mm) tubing	11.1286.00	11.1286.01	
	with 63" (1600mm) tubing	11.1296.00	11.1296.01	
7	1/2 inch Tubing with (2) Standard Tailpieces			
	with 52" (1321mm) tubing	11.1292.00	11.1292.01	
	with 63" (1600mm) tubing	12.1237.00	12.1237.01	
Tailpieces				
8	Tailpiece for Valve End	11.1027.00	11.1027.01	
9	Tailpiece for Vacuum End	11.1300.01	11.1300.03	

16mm tubing

REF	DESCRIPTION	SURF	WHITE	PRICE
10	Standard (11mm) HVE Assembly with 16mm tubing, and (2) tailpieces			
	with 52" (1321mm) tubing	11.1288.00	11.1288.01	
	with 63" (1600mm) tubing	11.1305.00	11.1305.01	
11	16mm Tubing with (1) 11mm Tailpiece and (1) 16mm Tailpiece			
	with 52" (1321mm) tubing	11.1294.00	11.1294.01	
	with 63" (1600mm) tubing	12.1239.00	12.1239.01	
Tailpieces				
12	11mm Tailpiece for Valve End	11.1272.00		
13	16mm Tailpiece for Vacuum End	12.1121.00	11.1301.03	



Tubing