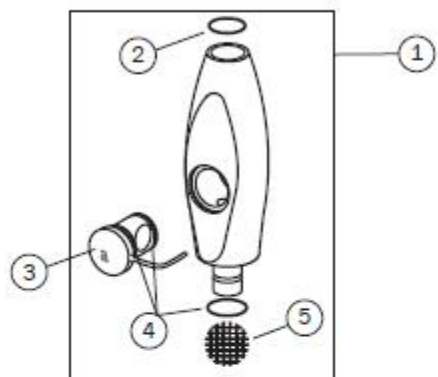
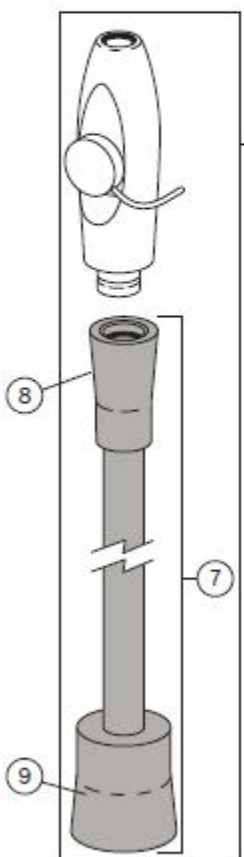


A-dec 500 and 300 Saliva Ejector Vacuum Instrument Assemblies

52" tubing for A-dec 351 & 551 Chair-mounted assistant's instrumentation
 63" tubing for A-dec 352, 353, 541, & 545 assistant's instrumentation



REF	DESCRIPTION	PART NUMBER	PRICE
Standard SE Valve (for standard or 10mm tubing)			
1	Standard SE Valve Assembly	12.1258.00	
2	Tip o-ring (10)	034.107.01	
3	SE Rotor Assembly	12.1093.00	
4	Rotor o-ring (10)	034.012.01	
5	Screen (10)	11.1235.01	

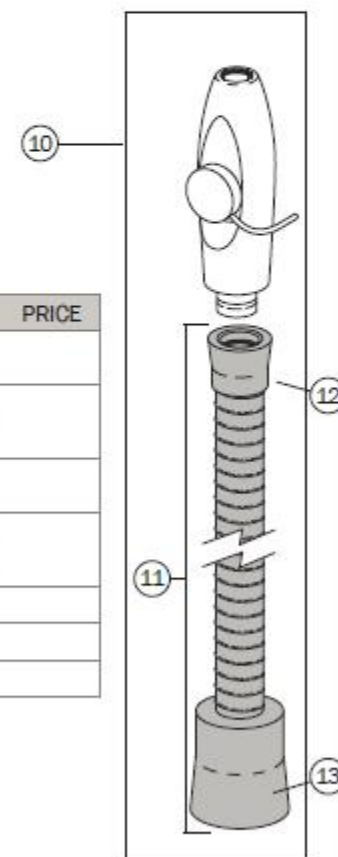


Standard tubing

REF	DESCRIPTION	SURF	WHITE	PRICE
6	Standard SE Assembly with Standard tubing, valve, and (2) tailpieces			
	with 52" (1321mm) tubing	12.1227.00	12.1227.01	
	with 63" (1600mm) tubing	12.1235.00	12.1235.01	
7	Standard Tubing with (2) Tailpieces			
	with 52" (1321mm) tubing	12.1231.00	12.1231.01	
	with 63" (1600mm) tubing	11.1306.00	11.1306.01	
Tailpieces				
8	Tailpiece for Valve End	12.1229.01	12.1229.03	
9	Tailpiece for Vacuum End	11.1303.01	11.1303.03	

10mm tubing

REF	DESCRIPTION	SURF	WHITE	PRICE
10	Standard SE Assembly with 10mm tubing, Valve, and (2) tailpieces			
	with 52" (1321mm) tubing	12.1228.00	12.1228.01	
	with 63" (1600mm) tubing	12.1236.00	12.1236.01	
11	10mm Tubing with (2) Tailpieces			
	with 52" (1321mm) tubing	12.1232.00	12.1232.01	
	with 63" (1600mm) tubing	11.1307.00	11.1307.01	
Tailpieces				
12	Tailpiece for Valve End	11.1283.01	11.1283.03	
13	Tailpiece for Vacuum End	11.1302.01	11.1302.03	



Tubing