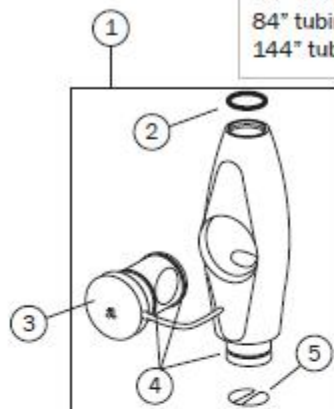
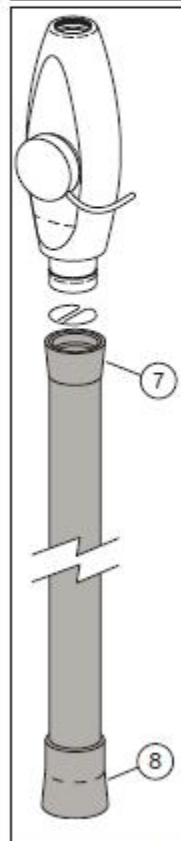


Cascade & Performer High Volume Evacuator & Saliva Ejector Vacuum Instrument Assemblies

72" tubing for Performer with AVS
 84" tubing for Cascade and Radius Chair-mount and 12 o'clock assistant's instrumentation
 144" tubing for Cascade Cart and Wall-mount instrumentation

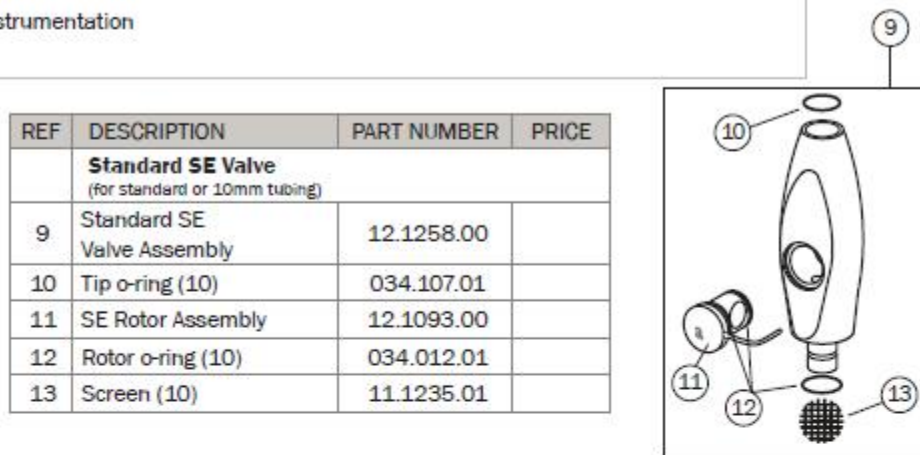


REF	DESCRIPTION	PART NUMBER	PRICE
Standard (11mm) HVE Valve (for 1/2 inch or 18mm tubing)			
1	Standard (11mm) HVE Valve Assembly	11.1335.00	
2	Tip o-ring (10)	034.013.01	
3	HVE Rotor Assembly	11.1074.00	
4	Rotor o-ring (10)	034.014.01	
5	Spring Clip Spring (5)	11.0998.01	



6
 HVE with 1/2 inch tubing

REF	DESCRIPTION	PART NUMBER	PRICE
6	HVE Assembly with 1/2 inch tubing, valve, and (2) tailpieces		
Standard (11mm) HVE			
	with 84" (2434mm) tubing	11.1025.02	
	with 144" (3658mm) tubing	11.1025.12	
Long Tip Holder HVE			
	with 84" (2434mm) tubing	11.1178.00	
	with 144" (3658mm) tubing	11.1014.12	
Performer HVE for AVS			
	with 84" (2434mm) tubing	11.1127.01	
Tailpieces			
7	Tailpiece for Valve End		
	for Standard (11mm) HVE or Long Tip Holder HVE	11.1027.00	
	for Performer HVE for AVS	11.1131.00	
8	Tailpiece for Vacuum End	11.1027.00	



REF	DESCRIPTION	PART NUMBER	PRICE
Standard SE Valve (for standard or 10mm tubing)			
9	Standard SE Valve Assembly	12.1258.00	
10	Tip o-ring (10)	034.107.01	
11	SE Rotor Assembly	12.1093.00	
12	Rotor o-ring (10)	034.012.01	
13	Screen (10)	11.1235.01	

SE with Standard Tubing

REF	DESCRIPTION	PART NUMBER	PRICE
14	SE Assembly with Standard tubing, Valve, and (1) tailpiece		
Standard SE			
	with 84" (2434mm) tubing	12.0910.06	
	with 144" (3658mm) tubing	12.0910.12	
Performer SE for AVS			
	with 72" (1829mm) tubing	12.1246.00	
Tailpieces			
15	Tailpiece for Valve End		
	for Standard SE	12.1088.00	
	for Performer SE for AVS	12.1087.00	

