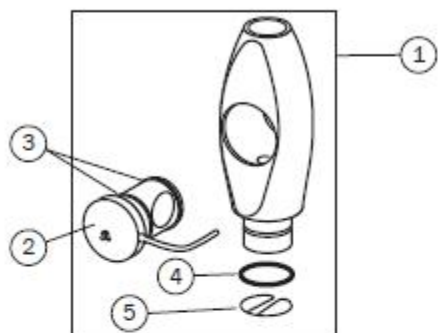
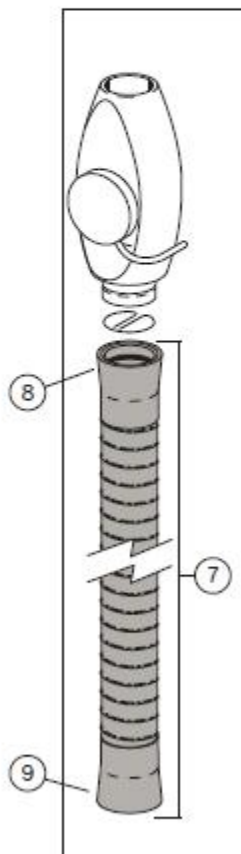


Large Bore (15mm) HVE Assembly for A-dec 500, 300, and Cascade Families

52" tubing for A-dec 351 & 551 Chair-mounted assistant's instrumentation
 63" tubing for A-dec 352, 353, 541, & 545 assistant's instrumentation



REF	DESCRIPTION	PART NUMBER	PRICE
Large Bore (15mm) HVE Valve (for 16mm Tubing)			
1	Large Bore (15mm) HVE Valve Assembly	12.1257.00	
2	HVE Rotor Assembly	12.1116.00	
3	Rotor o-ring (10)	034.019.01	
4	Tail end o-ring (10)	034.018.02	
5	Spring Clip Spring (5)	12.1109.01	



16mm tubing

REF	DESCRIPTION	SURF	WHITE	PRICE
6	Large Bore (15mm) HVE Assembly with 16mm tubing, valve, and (2) Tailpieces			
	with 52" (1321mm) tubing	11.1287.00	11.1287.01	
	with 63" (1600mm) tubing	11.1297.00	11.1315.00	
	with 84" (2134mm) tubing	12.1132.00		
7	16mm Tubing with (2) 16mm Tailpieces			
	with 52" (1321mm) tubing	11.1293.00	11.1293.01	
	with 63" (1600mm) tubing	12.1238.00	12.1238.01	
	16mm Tailpieces			
8	Tailpiece for Valve End	12.1121.00	11.1301.03	
9	Tailpiece for Vacuum End	12.1121.00	11.1301.03	