

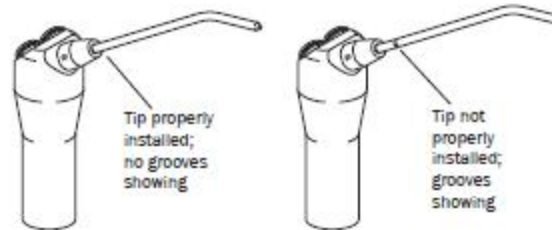
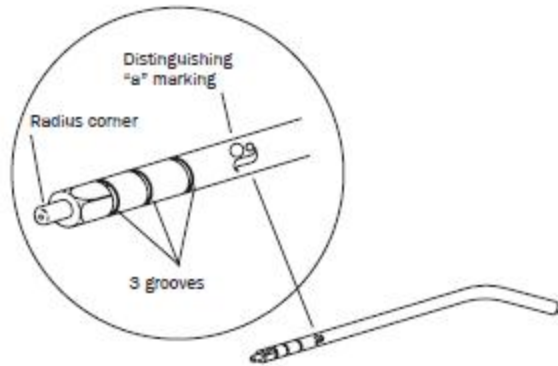
Tips and Retainers

Use Only A-dec Syringe Tips

Use of syringe tips manufactured by a company other than A-dec may result in damage to the O-rings inside the syringe tip retainer assembly. Damage to these O-rings can result in syringe tip ejection. Many disposable syringe tips have sharp corners on the water tube, which cut the O-ring sealing the water from the air in the tip.

To help you easily identify genuine A-dec syringe tips, a distinguishing "a" mark is located above three grooves on each tip. A-dec syringe tips also have a bright nickel chrome finish.

The nickel chrome finish on A-dec's syringe tips is not affected by cleaning solutions containing ammonia or amines. While A-dec tips are not affected by these solutions, we discourage the use of these chemicals when cleaning A-dec or any other manufacturers' syringe tips since tips from different manufacturers are often mixed together in the dental office.



Standard Syringe Tip

23.0872.01 (5)

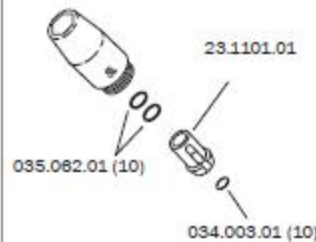
23.0872.02 (25)



- Autoclavable
- Standard size 3¹/₄" (83 mm)
- Specially designed for A-dec syringes

Syringe Tip Retainer Non-Locking Kit

23.1112.00 Non-locking kit



- Autoclavable
- U.S. Patent #5,433,485

Syringe Tips

23.0464.00 Long (1)

23.0465.00 Short bend (1)



Long

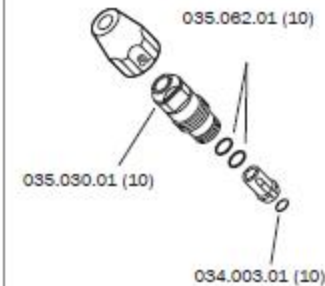


Short bend

- Autoclavable
- Long size 5¹/₄" (133 mm)
- Short bend 3¹/₄" (83 mm)
- Specially designed for A-dec syringes

Syringe Tip Retainer Locking Kit

23.1090.00 Locking kit



- Autoclavable