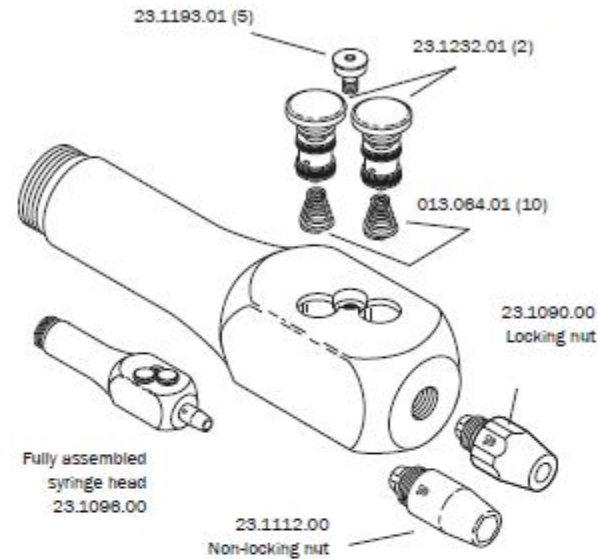


# Autoclavable Continental

## Autoclavable Continental Syringe

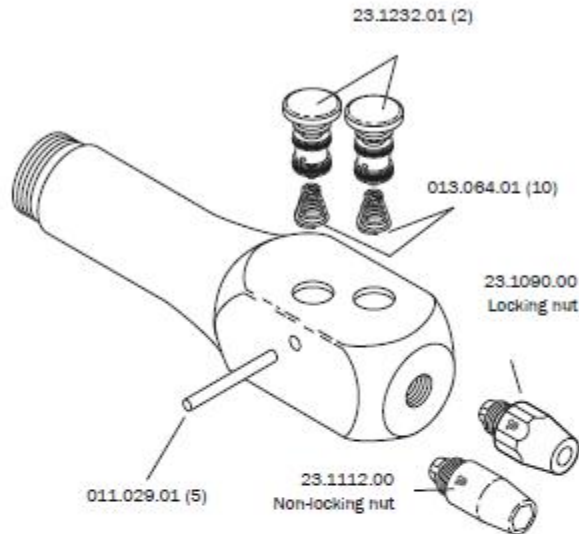
(Beginning October 1995)



## Autoclavable Continental Syringe

(prior to October 1995)

Service Parts Only



## Terminal Barb Assembly Non-Quick-disconnect

23.1110.00 2-barb



## Terminal Barb Assemblies Quick-disconnect

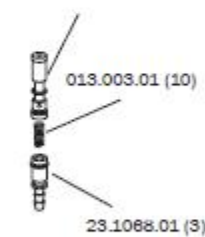
23.1067.00 2-barb

030.002.02 (10)

23.1064.01 (2)




011.038.01 (5)



23.1068.01 (3)

## Autoclavable Continental Syringe

	SYRINGE ASSEMBLIES (Include syringe and tubing)	PART NUMBER SURF	PART NUMBER GRAY 3	PRICE
	With Terminal Barb Assembly 84" (2,134 mm)	23.1170.00	23.1304.00	
	With QD Terminal Barb Assembly 84" (2,134 mm)	23.1247.00	23.1305.00	