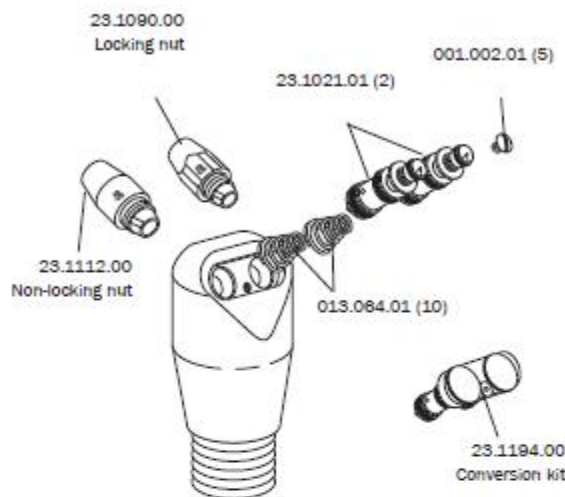


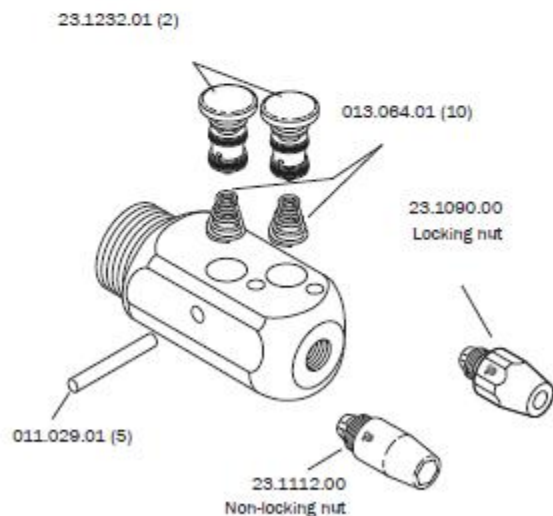
# EZ-Clean and Continental Pencil

## EZ-Clean Syringe Service Parts Only



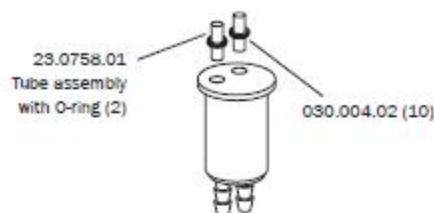
## Continental Pencil Syringe

### Service Parts Only



## Terminal Barb Assemblies

### 23.0760.00 Non-circulating



## EZ-Clean Syringe Conversion Kit

### 23.1060.00



- Changes older style A-dec syringe head to the new 2-button style
- Includes:
  - (1) Syringe head,
  - (2) Syringe tips
- (1) 5/32" hex key,
- (1) Double flow clamp to regulate air and water pressure

## Button Valve for EZ-Clean Syringe

### 23.1021.01 (2)



- Requires spring 013.064.01 (10)

## Service Tip

A burst of water from the tip when the syringe air button is pressed could be the result of a worn or damaged O-ring (034.003.01) in the tip nut spacer. This O-ring prevents water-air crossover and should be replaced once a year.