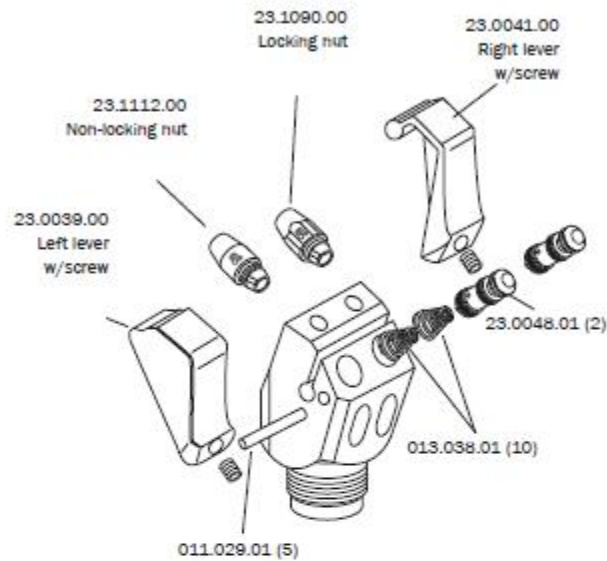


Lever and Soft-Touch

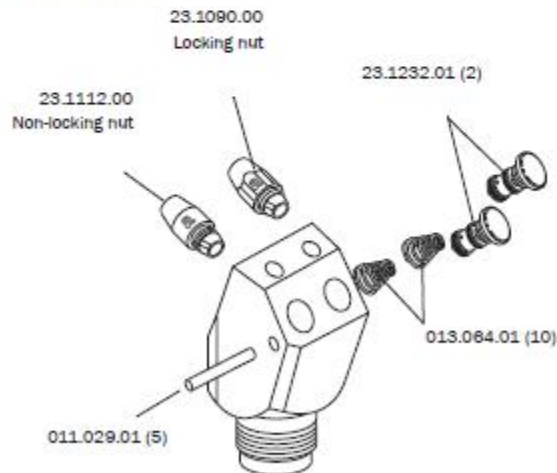
Lever Syringe

Service Parts Only



Soft-touch Syringe

Service Parts Only



Button Valve for Lever Syringe

23.0048.01 (2)



- Requires spring 013.038.01 (10)

Lever Syringe Valve Kit

23.1093.00



- To replace valves on lever syringes
- Includes button valves, springs, and silicone lubricant

Autoclavable QD Syringe Service Kit

23.1235.01

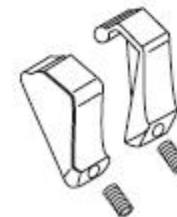


- Includes syringe tip, screw, pin, syringe nut with spacer, springs, stem assemblies, valve assemblies terminal barbs, silicone lubricant, and O-rings

Levers

23.0039.00

23.0041.00



- Includes adjustment screw