

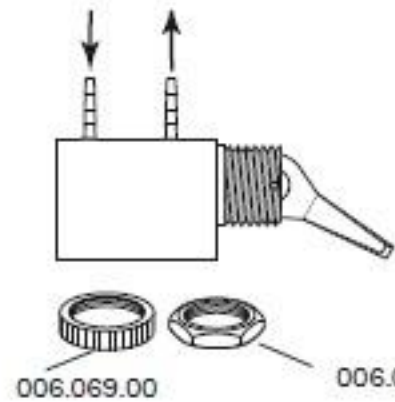
Manual On/Off and Coolant

NOTE

Use two-way (non-exhausting) control valves for air, water and cuspidor bowl rinse and cup fill applications. Use three-way (exhausting) control valves for the master toggle, air coolant and water coolant signal applications.

3-Way Toggle

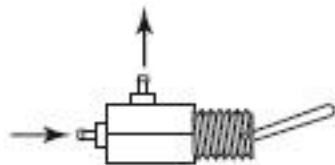
33.0048.05 Surf 4 toggle



- Use with air signal valve
- Panel mount $\frac{1}{2}$ " hole ($\frac{1}{4}$ " max. panel thickness)
- $\frac{1}{8}$ " barbs
- Surf 4 plastic toggle

3-Way Sub-Miniature Toggle

026.123.00

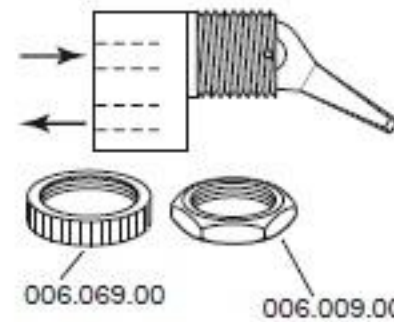


- Use with air signal valve
- Panel mount $\frac{1}{4}$ " hole ($\frac{1}{8}$ " max. panel thickness)
- $\frac{1}{8}$ " barbs
- Non-adjusting metal toggle

2-Way Toggle Valve Kit 3-Way Toggle Valve Kit

33.0096.02 2-way

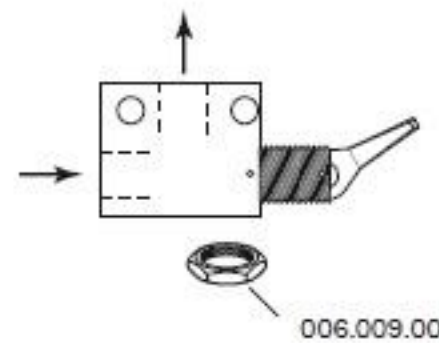
33.0080.03 3-way



- Panel mount $\frac{1}{2}$ " hole ($\frac{1}{4}$ " max. panel thickness)
- 10 - 32 ports
- Surf 4 plastic toggle
- 2-way, air or water
- 3-way, air

2-Way Toggle

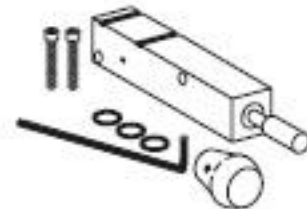
12.1070.01



- Use for Performer
- $\frac{1}{8}$ " MPT ports
- Surf 4 toggle

Water Coolant

38.0098.00



- For Century I control block
- Manifold mounting

Master Toggle Valves

33.0131.02 For Cascade/Radius surf 4

33.0173.00 For chair mounted 300 or 500 delivery

33.0182.01 For 541 / 545 delivery

90.1189.00 For A-dec 300 with no delivery

33.0048.05 For A-dec 500 surf 4



- On/Off toggles